

SPECIFICATION:

MEA-JOSAM 100C SERIES PERFORATED GRATE IN HIGH-DENSITY POLYETHYLENE, RAISED NODULES FOR SLIP-RESISTANCE, INTEGRAL STARFIX GRATE SECURING SYSTEM AND ADAPTABLE TO LOCKING BAR SECUREMENT.

**GRATE
PRO-PLUS**

SERIES **140128/140130**

NOTES:

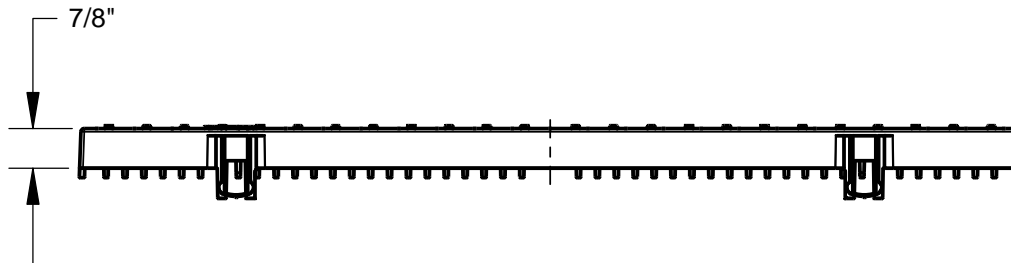
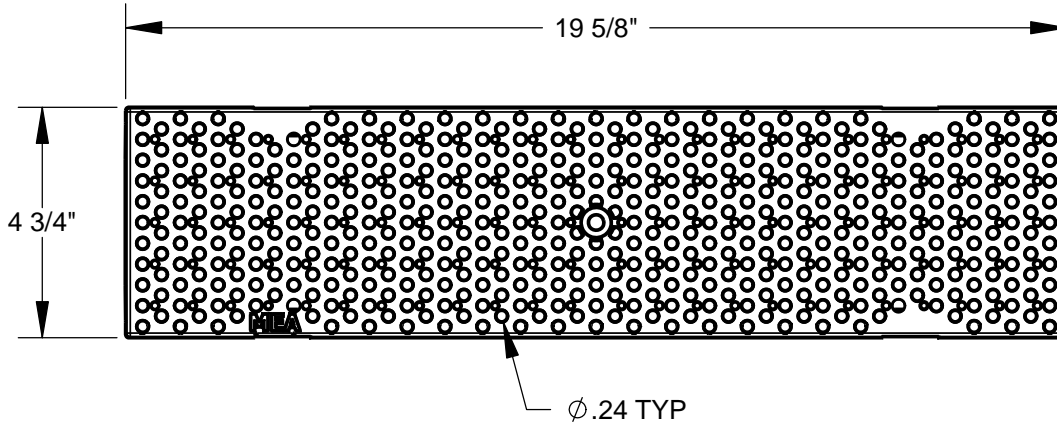
1. FREE AREA: 23.5 IN²
2. THIS GRATE IS ADA AND HEEL-PROOF COMPLIANT

Supplied By:

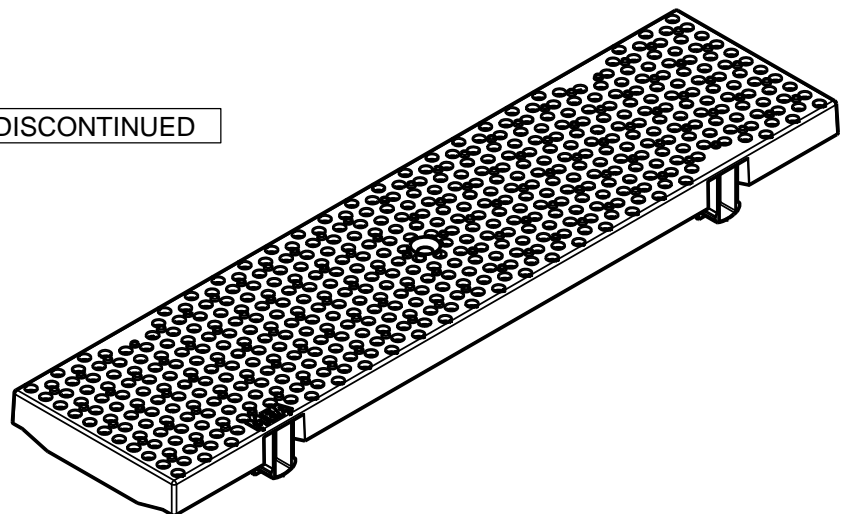
**TRENCHDRAIN
SUPPLY**

877-903-7246

www.trenchdrainsupply.com



PART NO.	COLOR	
140128	GREY	
140130	BEIGE	DISCONTINUED



DATE OF LAST CHANGE: 06/06/16

DIMENSIONS ARE SUBJECT TO MANUFACTURERS TOLERANCES AND CHANGE WITHOUT NOTICE. WE CAN ASSUME NO RESPONSIBILITY FOR USE OF SUPERSEDED OR VOID DATA.

JOSAM COMPANY
MICHIGAN CITY, INDIANA

NOTES